



OPEN FRAME SOLENOIDS | Push type

Transmotec sell a broad range of high quality solenoids in standard and customized configurations. Transmotec is the ideal supplier source especially to instrument and apparatus builders. We keep a high number of motors in stock for immediate delivery.

Customizations include:

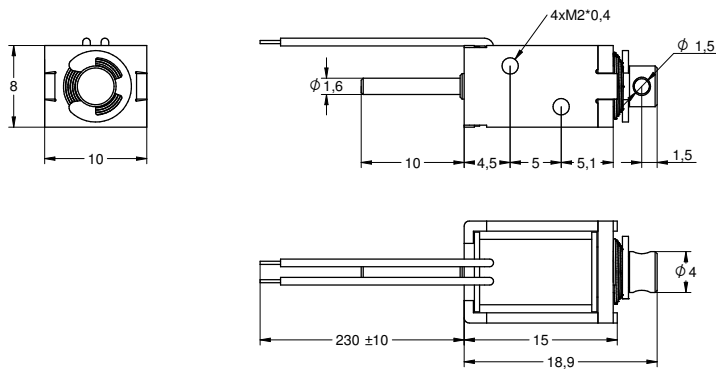
- ✓ Customized harness
- ✓ Winding configuration
- ✓ Plunger configuration
- ✓ And more...

TABLE OF CONTENTS

| Model | Length | Width | Height | Page |
|--------------|---------------|--------------|---------------|--------------------|
| F0415S | 15mm | 8mm | 10mm | 1 |
| F0520S | 20mm | 13mm | 16mm | 2 |
| F0530S | 30mm | 10mm | 15mm | 3 |
| F0626S | 26mm | 16mm | 20mm | 4 |
| F0630S | 29.5mm | 19mm | 16mm | 5 |
| F0730S | 30.2mm | 16mm | 14mm | 6 |
| F0826S | 26mm | 25mm | 22mm | 7 |
| F0837S | 37mm | 26mm | 20mm | 8 |
| F1037S | 37mm | 26mm | 20mm | 9 |
| F1039S | 39mm | 20mm | 26mm | 10 |
| F1040S | 40mm | 24mm | 29mm | 11 |
| F1250S | 50mm | 37mm | 41mm | 12 |
| F1253S | 53.5mm | 27mm | 30mm | 13 |
| F1564S | 64mm | 38mm | 30mm | 14 |
| F1578S | 78mm | 44mm | 51mm | 15 |
| F1585S | 85mm | 35mm | 40mm | 16 |
| F1683S | 84mm | 52mm | 58mm | 17 |

F0415S (push type)

DRAWING (mm)



PHOTO



MODEL NO. DESIGNATION

F0415S - VOLTAGE

Example: F0415S-12V

SOLENOID DATA

| Duty cycle / ED (%) ▶ | Continuous (100%) | Intermittent (50%) | Intermittent (25%) | Intermittent (10%) |
|--|-------------------|--------------------|--------------------|--------------------|
| Watts @ 20°C ▶ | 0.8 | 1.6 | 3.2 | 8 |
| Maximum time in energized state (in seconds) ▶ | ∞ | 50 | 18 | 3 |

| Part ▼ | Resistance (20°C) $\pm 10\%$ (Ω) ▼ | DC Volts (V) ▼ | | | |
|------------|---|----------------|-----|----|-----|
| F0415S-03V | 11.2 | 3 | 4.2 | 6 | 9.5 |
| F0415S-06V | 45 | 6 | 8.5 | 12 | 19 |
| F0415S-12V | 180 | 12 | 17 | 24 | 38 |
| F0415S-24V | 720 | 24 | 34 | 48 | 76 |

SOLENOID FEATURES AND STANDARD DATA

| | STANDARD | CUSTOMIZATION OPTIONS |
|---------------------------------|---------------------------------|-----------------------------|
| Type | Push type DC solenoid | Push type DC solenoid |
| Cable | Flying wire 230mm | Length, type and connector |
| Voltage | 3 to 24 VDC @ 100% ED | Other voltages upon request |
| Life time | At least 500.000 single strokes | |
| Plunger material | Carbon steel 12L14 | |
| Protection class | IP00 | |
| Insulation grade | B | |
| Operating temperature | -5°C ... +40°C | |
| Manufacturing quality standards | ISO9001:2008, ISO/TS 16949:2002 | |
| RoHS compliance | Yes | |
| CE approval | No | |
| UL approval | No | |

ADDITIONAL DATA

| | |
|---------------|------|
| Return spring | Yes |
| Weight | 5.4g |

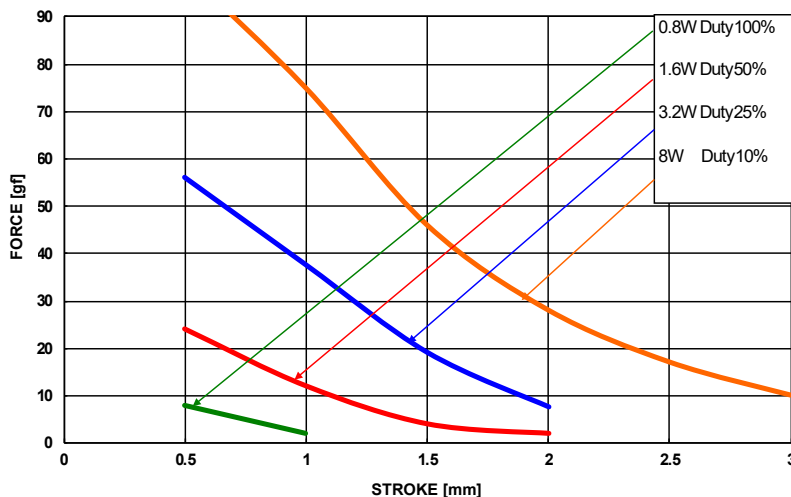
SPRING DATA

| | |
|-----------------------------------|------|
| Loading force @ 2.1mm compression | 3.5g |
| Loading force @ 0.5mm compression | 8.6g |

PLUNGER PROFILE

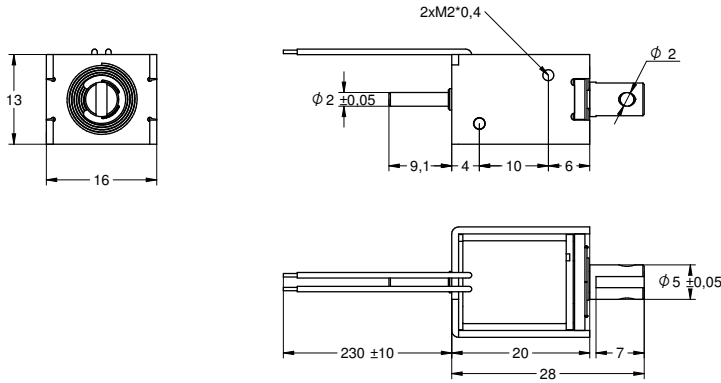


DIAGRAM

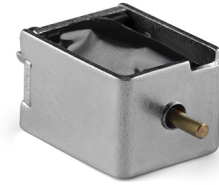


F0520S (push type)

DRAWING (mm)



PHOTO



MODEL NO. DESIGNATION

F0520S - VOLTAGE
Example: F0520S-12V

SOLENOID DATA

| Duty cycle / ED (%) ▶ | Continuous (100%) | Intermittent (50%) | Intermittent (25%) | Intermittent (10%) | |
|--|-------------------------------|--------------------|--------------------|--------------------|----|
| Watts @ 20°C ▶ | 1.6 | 3.2 | 6.4 | 16 | |
| Maximum time in energized state (in seconds) ▶ | ∞ | 55 | 19 | 3 | |
| Part ▼ | Resistance (20°C) ± 10% (Ω) ▼ | DC Volts (V) ▼ | | | |
| F0520S-06V | 23 | 6 | 8.5 | 12 | 19 |
| F0520S-12V | 90 | 12 | 17 | 24 | 38 |
| F0520S-24V | 360 | 24 | 34 | 48 | 76 |

SOLENOID FEATURES AND STANDARD DATA

| | STANDARD | CUSTOMIZATION OPTIONS |
|---------------------------------|---------------------------------|-----------------------------|
| Type | Push type DC solenoid | Push type DC solenoid |
| Cable | Flying wire 230mm | Length, type and connector |
| Voltage | 6 to 24 VDC @ 100% ED | Other voltages upon request |
| Life time | At least 500.000 single strokes | |
| Plunger material | Carbon steel 12L14 | |
| Protection class | IP00 | |
| Insulation grade | B | |
| Operating temperature | -5°C ... +40°C | |
| Manufacturing quality standards | ISO9001:2008, ISO/TS 16949:2002 | |
| RoHS compliance | Yes | |
| CE approval | No | |
| UL approval | No | |

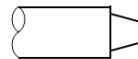
ADDITIONAL DATA

| | |
|---------------|-----|
| Return spring | Yes |
| Weight | 18g |

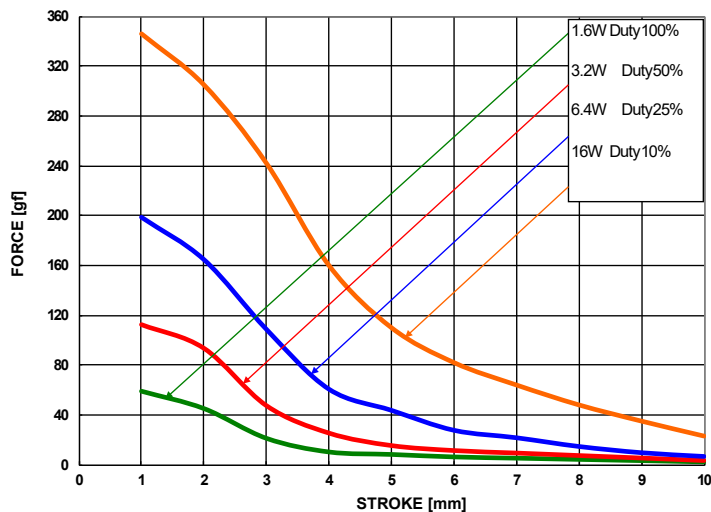
SPRING DATA

| | |
|---------------------------------|-----|
| Loading force @ 3mm compression | 18g |
|---------------------------------|-----|

PLUNGER PROFILE

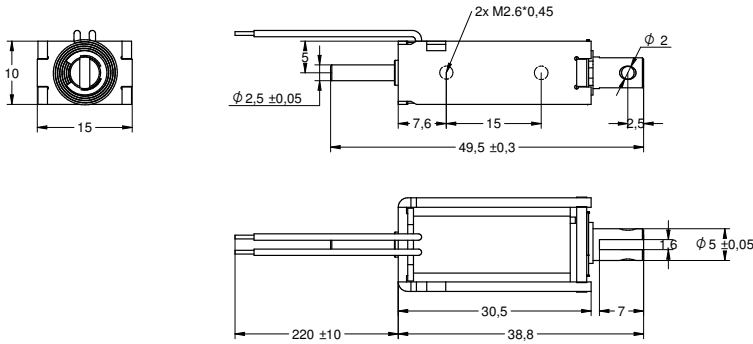


DIAGRAM



F0530S (push type)

DRAWING (mm)



PHOTO



MODEL NO. DESIGNATION

F0530S - VOLTAGE

Example: F0530S-12V

SOLENOID DATA

| Duty cycle / ED (%) ▶ | Continuous (100%) | Intermittent (50%) | Intermittent (25%) | Intermittent (10%) | |
|--|-------------------------------|--------------------|--------------------|--------------------|----|
| Watts @ 20°C ▶ | 1.7 | 3.4 | 6.8 | 17 | |
| Maximum time in energized state (in seconds) ▶ | ∞ | 50 | 18 | 2 | |
| Part ▼ | Resistance (20°C) ± 10% (Ω) ▼ | DC Volts (V) ▼ | | | |
| F0530S-06V | 21.2 | 6 | 8.5 | 12 | 19 |
| F0530S-12V | 84.7 | 12 | 17 | 24 | 38 |
| F0530S-24V | 339 | 24 | 34 | 48 | 76 |

SOLENOID FEATURES AND STANDARD DATA

| | STANDARD | CUSTOMIZATION OPTIONS |
|---------------------------------|---------------------------------|-----------------------------|
| Type | Push type DC solenoid | Push type DC solenoid |
| Cable | Flying wire 230mm | Length, type and connector |
| Voltage | 6 to 24 VDC @ 100% ED | Other voltages upon request |
| Life time | At least 500.000 single strokes | |
| Plunger material | Carbon steel 12L14 | |
| Protection class | IP00 | |
| Insulation grade | B | |
| Operating temperature | -5°C ... +40°C | |
| Manufacturing quality standards | ISO9001:2008, ISO/TS 16949:2002 | |
| RoHS compliance | Yes | |
| CE approval | No | |
| UL approval | No | |

ADDITIONAL DATA

| | |
|---------------|-----|
| Return spring | Yes |
| Weight | 23g |

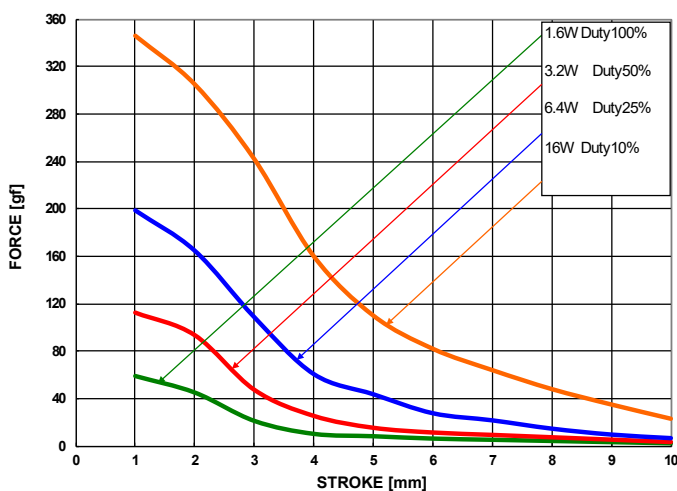
SPRING DATA

| | |
|---------------------------------|-----|
| Loading force @ 3mm compression | 18g |
|---------------------------------|-----|

PLUNGER PROFILE

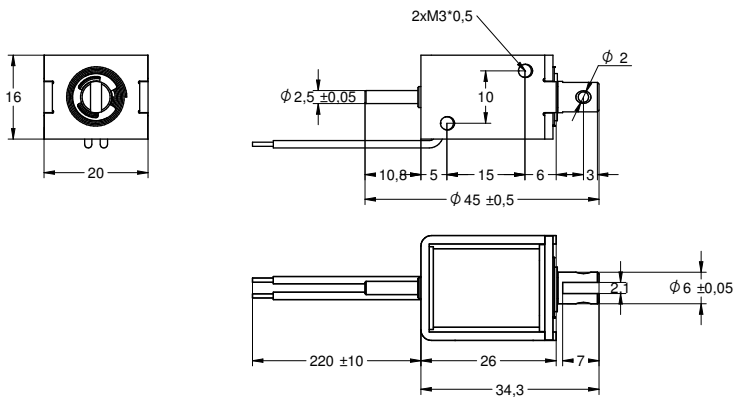


DIAGRAM



F0626S (push type)

DRAWING (mm)



PHOTO



MODEL NO. DESIGNATION

F0626S - VOLTAGE

Example: F0626S-12V

SOLENOID DATA

| Duty cycle / ED (%) ▶ | Continuous (100%) | Intermittent (50%) | Intermittent (25%) | Intermittent (10%) |
|--|-------------------|--------------------|--------------------|--------------------|
| Watts @ 20°C ▶ | 2.1 | 4.2 | 8.4 | 21 |
| Maximum time in energized state (in seconds) ▶ | ∞ | 55 | 19 | 3 |

| Part ▼ | Resistance (20°C) $\pm 10\%$ (Ω) ▼ | DC Volts (V) ▼ | | | |
|------------|---|----------------|-----|----|----|
| F0626S-06V | 17.1 | 6 | 8.5 | 12 | 19 |
| F0626S-12V | 69 | 12 | 17 | 24 | 38 |
| F0626S-24V | 339 | 24 | 34 | 48 | 76 |

SOLENOID FEATURES AND STANDARD DATA

| | STANDARD | CUSTOMIZATION OPTIONS |
|---------------------------------|---------------------------------|-----------------------------|
| Type | Push type DC solenoid | Push type DC solenoid |
| Cable | Flying wire 230mm | Length, type and connector |
| Voltage | 6 to 24 VDC @ 100% ED | Other voltages upon request |
| Life time | At least 500.000 single strokes | |
| Plunger material | Carbon steel 12L14 | |
| Protection class | IP00 | |
| Insulation grade | B | |
| Operating temperature | -5°C ... +40°C | |
| Manufacturing quality standards | ISO9001:2008, ISO/TS 16949:2002 | |
| RoHS compliance | Yes | |
| CE approval | No | |
| UL approval | No | |

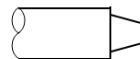
ADDITIONAL DATA

| | |
|---------------|-----|
| Return spring | Yes |
| Weight | 43g |

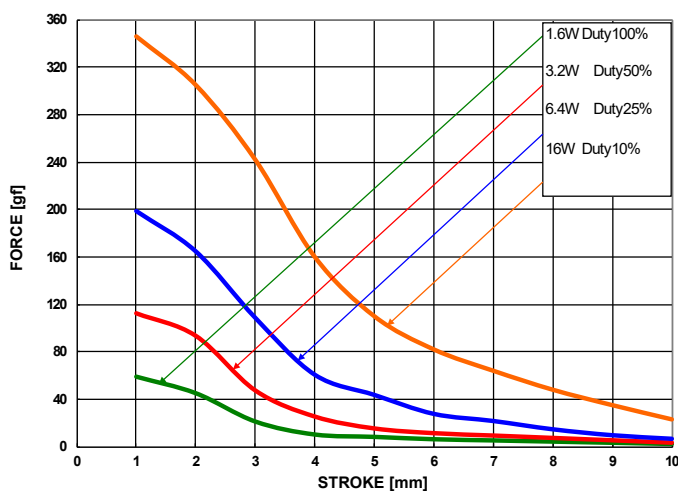
SPRING DATA

| | |
|---------------------------------|-----|
| Loading force @ 1mm compression | 30g |
|---------------------------------|-----|

PLUNGER PROFILE

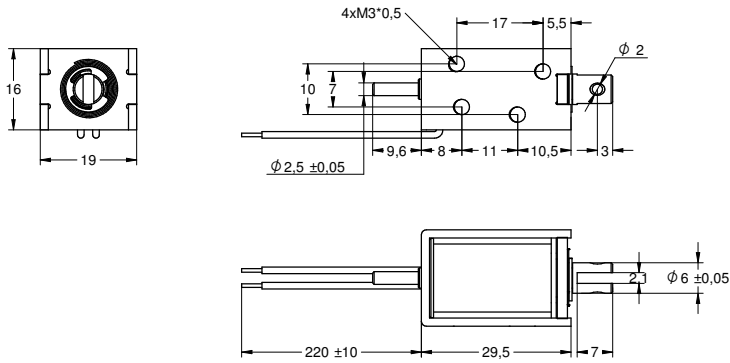


DIAGRAM



F0630S (push type)

DRAWING (mm)



PHOTO



MODEL NO. DESIGNATION

F0630S - VOLTAGE

Example: F0630S-12V

SOLENOID DATA

| Duty cycle / ED (%) ▶ | Continuous (100%) | Intermittent (50%) | Intermittent (25%) | Intermittent (10%) |
|--|-------------------|--------------------|--------------------|--------------------|
| Watts @ 20°C ▶ | 2.4 | 4.8 | 9.6 | 24 |
| Maximum time in energized state (in seconds) ▶ | ∞ | 55 | 19 | 3 |

| Part ▼ | Resistance (20°C) $\pm 10\%$ (Ω) ▼ | DC Volts (V) ▼ | | | |
|------------|---|----------------|-----|----|----|
| F0630S-06V | 15 | 6 | 8.5 | 12 | 19 |
| F0630S-12V | 60 | 12 | 17 | 24 | 38 |
| F0630S-24V | 240 | 24 | 34 | 48 | 76 |

SOLENOID FEATURES AND STANDARD DATA

| | STANDARD | CUSTOMIZATION OPTIONS |
|---------------------------------|---------------------------------|-----------------------------|
| Type | Push type DC solenoid | Push type DC solenoid |
| Cable | Flying wire 230mm | Length, type and connector |
| Voltage | 6 to 24 VDC @ 100% ED | Other voltages upon request |
| Life time | At least 500.000 single strokes | |
| Plunger material | Carbon steel 12L14 | |
| Protection class | IP00 | |
| Insulation grade | B | |
| Operating temperature | -5°C ... +40°C | |
| Manufacturing quality standards | ISO9001:2008, ISO/TS 16949:2002 | |
| RoHS compliance | Yes | |
| CE approval | No | |
| UL approval | No | |

ADDITIONAL DATA

| | |
|---------------|-----|
| Return spring | Yes |
| Weight | 42g |

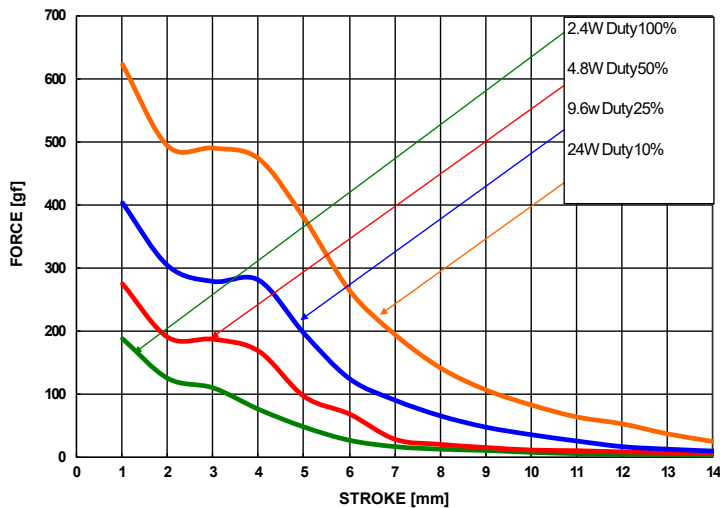
SPRING DATA

| | |
|---------------------------------|-----|
| Loading force @ 1mm compression | 30g |
|---------------------------------|-----|

PLUNGER PROFILE

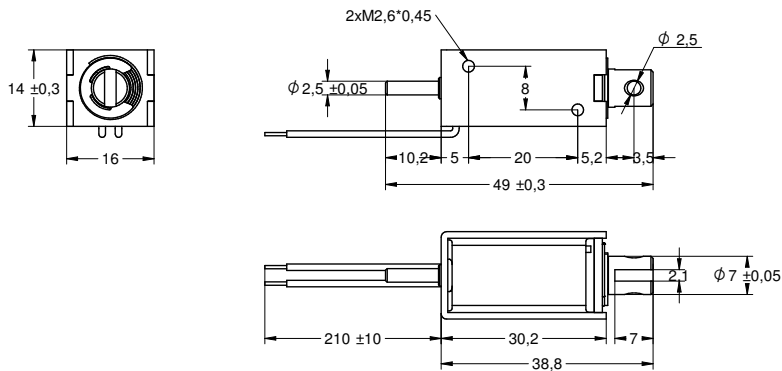


DIAGRAM



F0730S (push type)

DRAWING (mm)



PHOTO



MODEL NO. DESIGNATION

F0730S - VOLTAGE

Example: F0730S-12V

SOLENOID DATA

| Duty cycle / ED (%) ▶ | Continuous (100%) | Intermittent (50%) | Intermittent (25%) | Intermittent (10%) | |
|--|-------------------------------|--------------------|--------------------|--------------------|----|
| Watts @ 20°C ▶ | 2.2 | 4.4 | 8.8 | 22 | |
| Maximum time in energized state (in seconds) ▶ | ∞ | 55 | 19 | 3 | |
| Part ▼ | Resistance (20°C) ± 10% (Ω) ▼ | DC Volts (V) ▼ | | | |
| F0730S-06V | 16.4 | 6 | 8.5 | 12 | 19 |
| F0730S-12V | 65.5 | 12 | 17 | 24 | 38 |
| F0730S-24V | 262 | 24 | 34 | 48 | 76 |

SOLENOID FEATURES AND STANDARD DATA

| | STANDARD | CUSTOMIZATION OPTIONS |
|---------------------------------|---------------------------------|-----------------------------|
| Type | Push type DC solenoid | Push type DC solenoid |
| Cable | Flying wire 230mm | Length, type and connector |
| Voltage | 6 to 24 VDC @ 100% ED | Other voltages upon request |
| Life time | At least 500.000 single strokes | |
| Plunger material | Carbon steel 12L14 | |
| Protection class | IP00 | |
| Insulation grade | B | |
| Operating temperature | -5°C ... +40°C | |
| Manufacturing quality standards | ISO9001:2008, ISO/TS 16949:2002 | |
| RoHS compliance | Yes | |
| CE approval | No | |
| UL approval | No | |

ADDITIONAL DATA

| | |
|---------------|-----|
| Return spring | Yes |
| Weight | 33g |

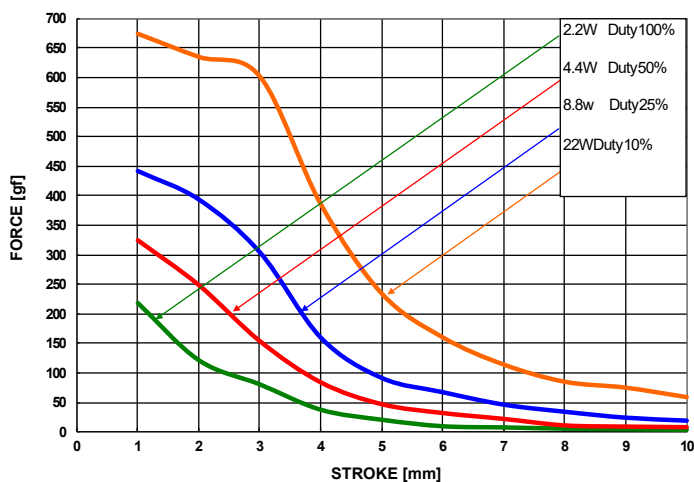
SPRING DATA

| | |
|---------------------------------|---------|
| Loading force @ 1mm compression | 93 ± 5g |
|---------------------------------|---------|

PLUNGER PROFILE

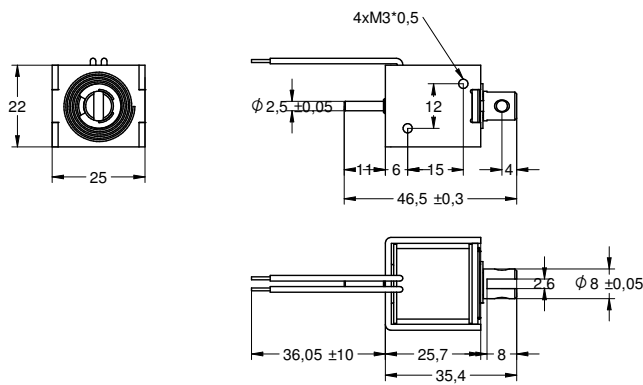


DIAGRAM



F0826S (push type)

DRAWING (mm)



PHOTO



MODEL NO. DESIGNATION

F0826S - VOLTAGE

Example: F0826S-12V

SOLENOID DATA

| Duty cycle / ED (%) ▶ | Continuous (100%) | Intermittent (50%) | Intermittent (25%) | Intermittent (10%) |
|--|-------------------|--------------------|--------------------|--------------------|
| Watts @ 20°C ▶ | 2.8 | 5.6 | 11.2 | 28 |
| Maximum time in energized state (in seconds) ▶ | ∞ | 100 | 36 | 7 |

| Part ▼ | Resistance (20°C) ± 10% (Ω) ▼ | DC Volts (V) ▼ | | | |
|------------|-------------------------------|----------------|-----|----|----|
| F0826S-06V | 12.9 | 6 | 8.5 | 12 | 19 |
| F0826S-12V | 51.4 | 12 | 17 | 24 | 38 |
| F0826S-24V | 206 | 24 | 34 | 48 | 76 |

SOLENOID FEATURES AND STANDARD DATA

| | STANDARD | CUSTOMIZATION OPTIONS |
|---------------------------------|---------------------------------|-----------------------------|
| Type | Push type DC solenoid | Push type DC solenoid |
| Cable | Flying wire 230mm | Length, type and connector |
| Voltage | 6 to 24 VDC @ 100% ED | Other voltages upon request |
| Life time | At least 500.000 single strokes | |
| Plunger material | Carbon steel 12L14 | |
| Protection class | IP00 | |
| Insulation grade | B | |
| Operating temperature | -5°C ... +40°C | |
| Manufacturing quality standards | ISO9001:2008, ISO/TS 16949:2002 | |
| RoHS compliance | Yes | |
| CE approval | No | |
| UL approval | No | |

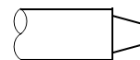
ADDITIONAL DATA

| | |
|---------------|-----|
| Return spring | Yes |
| Weight | 66g |

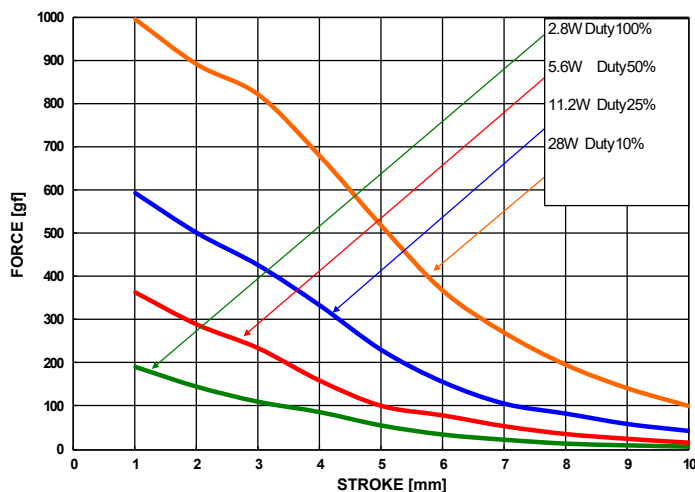
SPRING DATA

| | |
|---------------------------------|---------|
| Loading force @ 3mm compression | 78 ± 5g |
|---------------------------------|---------|

PLUNGER PROFILE

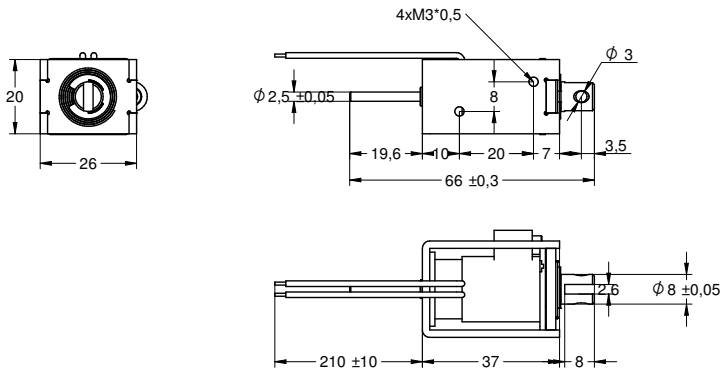


DIAGRAM



F0837S (push type)

DRAWING (mm)



PHOTO



MODEL NO. DESIGNATION

F0837S - VOLTAGE

Example: F0837S-12V

SOLENOID DATA

| Duty cycle / ED (%) ▶ | Continuous (100%) | Intermittent (50%) | Intermittent (25%) | Intermittent (10%) |
|--|-------------------|--------------------|--------------------|--------------------|
| Watts @ 20°C ▶ | 4 | 8 | 16 | 40 |
| Maximum time in energized state (in seconds) ▶ | ∞ | 100 | 36 | 7 |

| Part ▼ | Resistance (20°C) ± 10% (Ω) ▼ | DC Volts (V) ▼ | | | |
|------------|-------------------------------|----------------|-----|----|----|
| F0837S-06V | 9 | 6 | 8.5 | 12 | 19 |
| F0837S-12V | 36 | 12 | 17 | 24 | 38 |
| F0837S-24V | 144 | 24 | 34 | 48 | 76 |

SOLENOID FEATURES AND STANDARD DATA

| | STANDARD | CUSTOMIZATION OPTIONS |
|---------------------------------|---------------------------------|-----------------------------|
| Type | Push type DC solenoid | Push type DC solenoid |
| Cable | Flying wire 230mm | Length, type and connector |
| Voltage | 6 to 24 VDC @ 100% ED | Other voltages upon request |
| Life time | At least 500.000 single strokes | |
| Plunger material | Carbon steel 12L14 | |
| Protection class | IP00 | |
| Insulation grade | B | |
| Operating temperature | -5°C ... +40°C | |
| Manufacturing quality standards | ISO9001:2008, ISO/TS 16949:2002 | |
| RoHS compliance | Yes | |
| CE approval | No | |
| UL approval | No | |

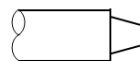
ADDITIONAL DATA

| | |
|---------------|-----|
| Return spring | Yes |
| Weight | 96g |

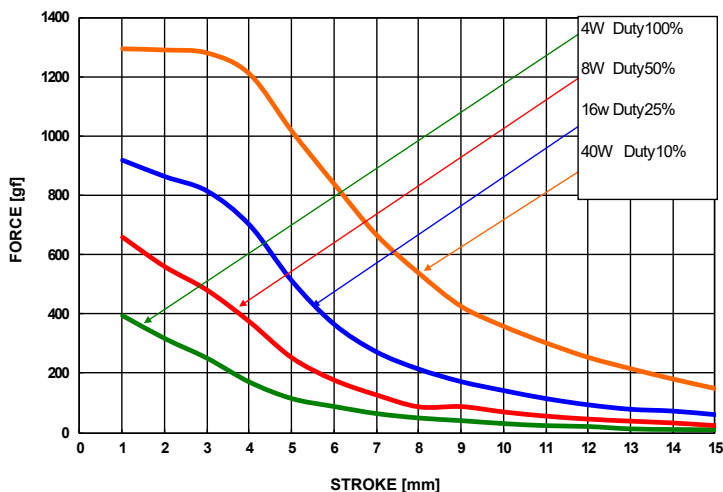
SPRING DATA

| | |
|---------------------------------|---------|
| Loading force @ 5mm compression | 48 ± 5g |
|---------------------------------|---------|

PLUNGER PROFILE

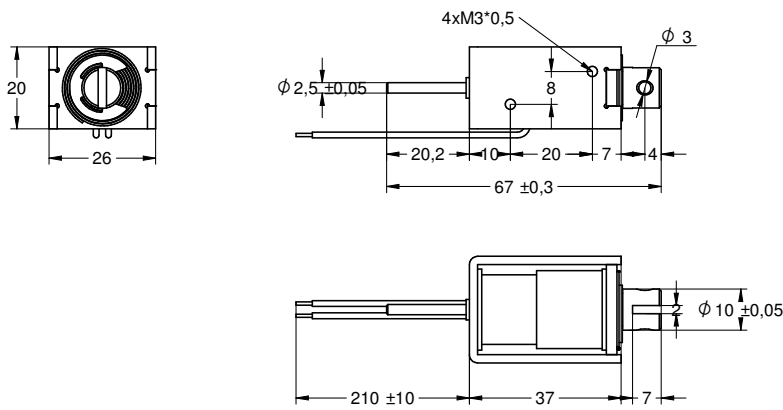


DIAGRAM



F1037S (push type)

DRAWING (mm)



PHOTO



MODEL NO. DESIGNATION

F1037S - VOLTAGE
Example: F1037S-12V

SOLENOID DATA

| Duty cycle / ED (%) ▶ | Continuous (100%) | Intermittent (50%) | Intermittent (25%) | Intermittent (10%) |
|--|-------------------|--------------------|--------------------|--------------------|
| Watts @ 20°C ▶ | 4 | 8 | 16 | 40 |
| Maximum time in energized state (in seconds) ▶ | ∞ | 100 | 36 | 7 |

| Part ▼ | Resistance (20°C) ± 10% (Ω) ▼ | DC Volts (V) ▼ | | | |
|------------|-------------------------------|----------------|-----|----|----|
| F1037S-06V | 9 | 6 | 8.5 | 12 | 19 |
| F1037S-12V | 36 | 12 | 17 | 24 | 38 |
| F1037S-24V | 144 | 24 | 34 | 48 | 76 |

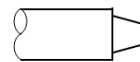
SOLENOID FEATURES AND STANDARD DATA

| | STANDARD | CUSTOMIZATION OPTIONS |
|---------------------------------|---------------------------------|-----------------------------|
| Type | Push type DC solenoid | Push type DC solenoid |
| Cable | Flying wire 230mm | Length, type and connector |
| Voltage | 6 to 24 VDC @ 100% ED | Other voltages upon request |
| Life time | At least 500.000 single strokes | |
| Plunger material | Carbon steel 12L14 | |
| Protection class | IP00 | |
| Insulation grade | B | |
| Operating temperature | -5°C ... +40°C | |
| Manufacturing quality standards | ISO9001:2008, ISO/TS 16949:2002 | |
| RoHS compliance | Yes | |
| CE approval | No | |
| UL approval | No | |

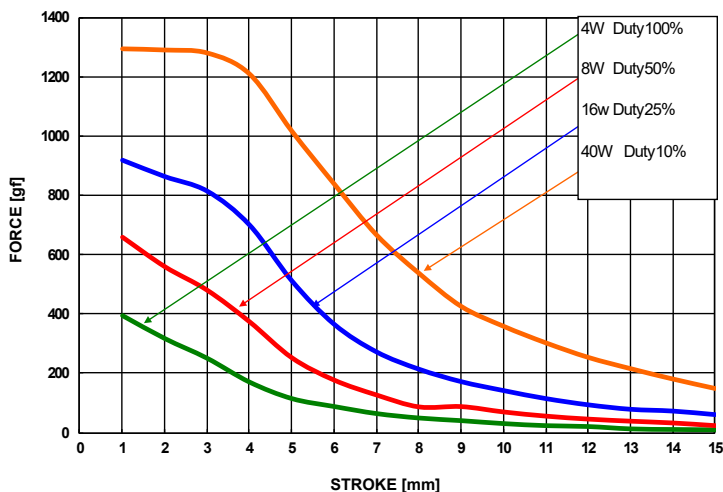
ADDITIONAL DATA

| | |
|---------------|-----|
| Return spring | Yes |
| Weight | 96g |

PLUNGER PROFILE

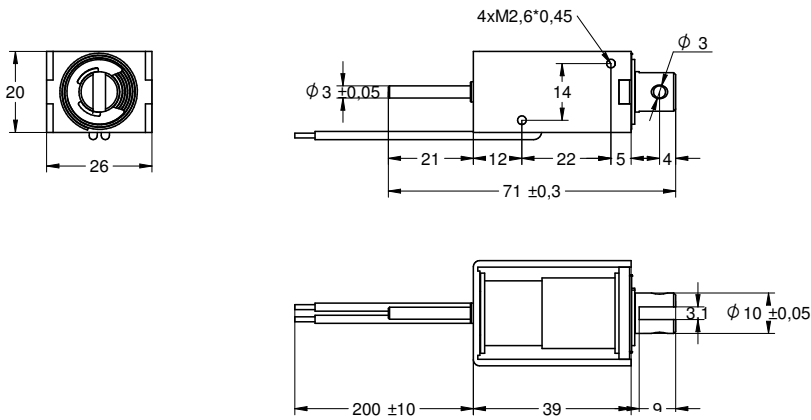


DIAGRAM



F1039S (push type)

DRAWING (mm)



PHOTO



MODEL NO. DESIGNATION

F1039S - VOLTAGE

Example: F1039S-12V

SOLENOID DATA

| Duty cycle / ED (%) ▶ | Continuous (100%) | Intermittent (50%) | Intermittent (25%) | Intermittent (10%) |
|--|-------------------|--------------------|--------------------|--------------------|
| Watts @ 20°C ▶ | 3.8 | 7.6 | 15.2 | 38 |
| Maximum time in energized state (in seconds) ▶ | ∞ | 140 | 50 | 9 |

| Part ▼ | Resistance (20°C) $\pm 10\%$ (Ω) ▼ | DC Volts (V) ▼ | | | |
|------------|---|----------------|-----|----|----|
| F1039S-06V | 9.5 | 6 | 8.5 | 12 | 19 |
| F1039S-12V | 38 | 12 | 17 | 24 | 38 |
| F1039S-24V | 152 | 24 | 34 | 48 | 76 |

SOLENOID FEATURES AND STANDARD DATA

| | STANDARD | CUSTOMIZATION OPTIONS |
|---------------------------------|---------------------------------|-----------------------------|
| Type | Push type DC solenoid | Push type DC solenoid |
| Cable | Flying wire 230mm | Length, type and connector |
| Voltage | 6 to 24 VDC @ 100% ED | Other voltages upon request |
| Life time | At least 500.000 single strokes | |
| Plunger material | Carbon steel 12L14 | |
| Protection class | IP00 | |
| Insulation grade | B | |
| Operating temperature | -5°C ... +40°C | |
| Manufacturing quality standards | ISO9001:2008, ISO/TS 16949:2002 | |
| RoHS compliance | Yes | |
| CE approval | No | |
| UL approval | No | |

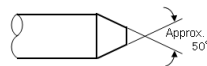
ADDITIONAL DATA

| | |
|---------------|------|
| Return spring | Yes |
| Weight | 110g |

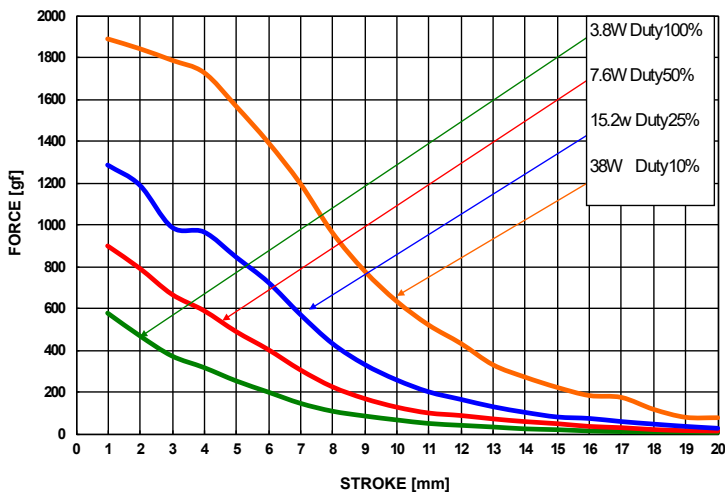
SPRING DATA

| | |
|---------------------------------|-------------|
| Loading force @ 5mm compression | 60 \pm 5g |
|---------------------------------|-------------|

PLUNGER PROFILE

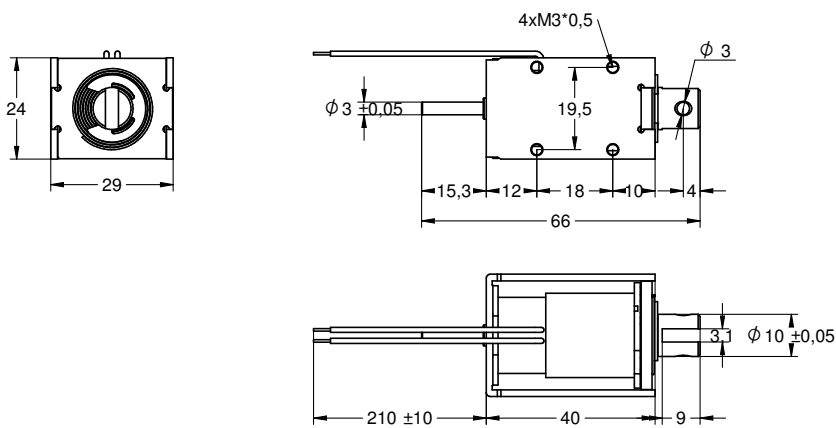


DIAGRAM

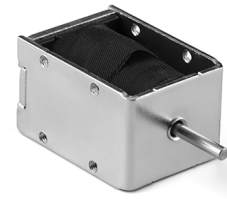


F1040S (push type)

DRAWING (mm)



PHOTO



MODEL NO. DESIGNATION

F1040S - VOLTAGE
Example: F1040S-12V

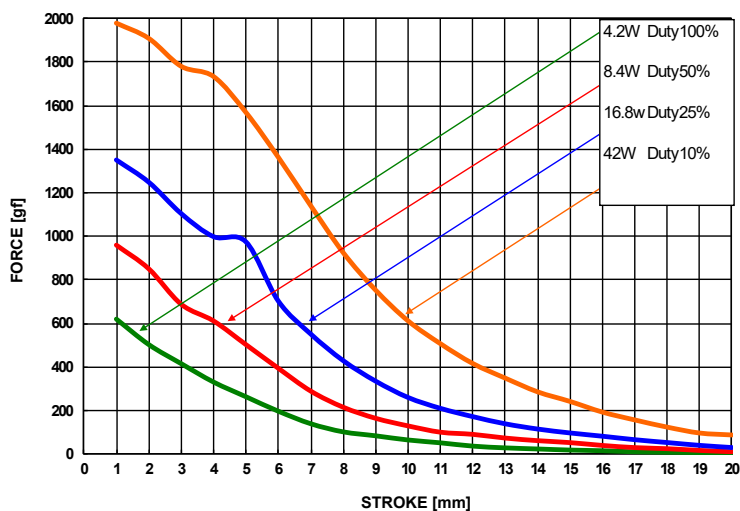
| SOLENOID DATA | | | | | |
|--|-------------------------------|--------------------|--------------------|--------------------|----|
| Duty cycle / ED (%) ▶ | Continuous (100%) | Intermittent (50%) | Intermittent (25%) | Intermittent (10%) | |
| Watts @ 20°C ▶ | 4.2 | 8.4 | 16.8 | 42 | |
| Maximum time in energized state (in seconds) ▶ | ∞ | 100 | 36 | 7 | |
| Part ▼ | Resistance (20°C) ± 10% (Ω) ▼ | DC Volts (V) ▼ | | | |
| F1040S-06V | 9 | 6 | 8.5 | 12 | 19 |
| F1040S-12V | 34 | 12 | 17 | 24 | 38 |
| F1040S-24V | 137 | 24 | 34 | 48 | 76 |

| SOLENOID FEATURES AND STANDARD DATA | | | ADDITIONAL DATA | |
|-------------------------------------|---------------------------------|-----------------------------|-----------------|------|
| | STANDARD | CUSTOMIZATION OPTIONS | | |
| Type | Push type DC solenoid | Push type DC solenoid | Return spring | Yes |
| Cable | Flying wire 230mm | Length, type and connector | Weight | 122g |
| Voltage | 6 to 24 VDC @ 100% ED | Other voltages upon request | | |
| Life time | At least 500.000 single strokes | | | |
| Plunger material | Carbon steel 12L14 | | | |
| Protection class | IP00 | | | |
| Insulation grade | B | | | |
| Operating temperature | -5°C ... +40°C | | | |
| Manufacturing quality standards | ISO9001:2008, ISO/TS 16949:2002 | | | |
| RoHS compliance | Yes | | | |
| CE approval | No | | | |
| UL approval | No | | | |

| SPRING DATA | |
|---------------------------------|---------|
| Loading force @ 5mm compression | 60 ± 5g |

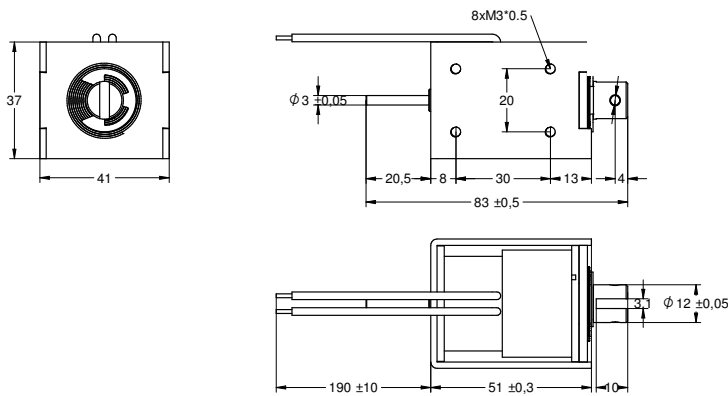


DIAGRAM



F1250S (push type)

DRAWING (mm)



PHOTO



MODEL NO. DESIGNATION

F1250S - VOLTAGE

Example: F1250S-12V

SOLENOID DATA

| Duty cycle / ED (%) ▶ | Continuous (100%) | Intermittent (50%) | Intermittent (25%) | Intermittent (10%) |
|--|-------------------|--------------------|--------------------|--------------------|
| Watts @ 20°C ▶ | 7.5 | 15 | 30 | 75 |
| Maximum time in energized state (in seconds) ▶ | ∞ | 140 | 50 | 9 |

| Part ▼ | Resistance (20°C) ± 10% (Ω) ▼ | DC Volts (V) ▼ |
|------------|-------------------------------|----------------|
| F1250S-06V | 4.8 | 6 |
| F1250S-12V | 19.2 | 12 |
| F1250S-24V | 76.8 | 24 |

SOLENOID FEATURES AND STANDARD DATA

| | STANDARD | CUSTOMIZATION OPTIONS |
|---------------------------------|---------------------------------|-----------------------------|
| Type | Push type DC solenoid | Push type DC solenoid |
| Cable | Flying wire 230mm | Length, type and connector |
| Voltage | 6 to 24 VDC @ 100% ED | Other voltages upon request |
| Life time | At least 500.000 single strokes | |
| Plunger material | Carbon steel 12L14 | |
| Protection class | IP00 | |
| Insulation grade | B | |
| Operating temperature | -5°C ... +40°C | |
| Manufacturing quality standards | ISO9001:2008, ISO/TS 16949:2002 | |
| RoHS compliance | Yes | |
| CE approval | No | |
| UL approval | No | |

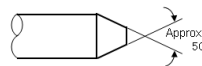
ADDITIONAL DATA

| | |
|---------------|------|
| Return spring | Yes |
| Weight | 315g |

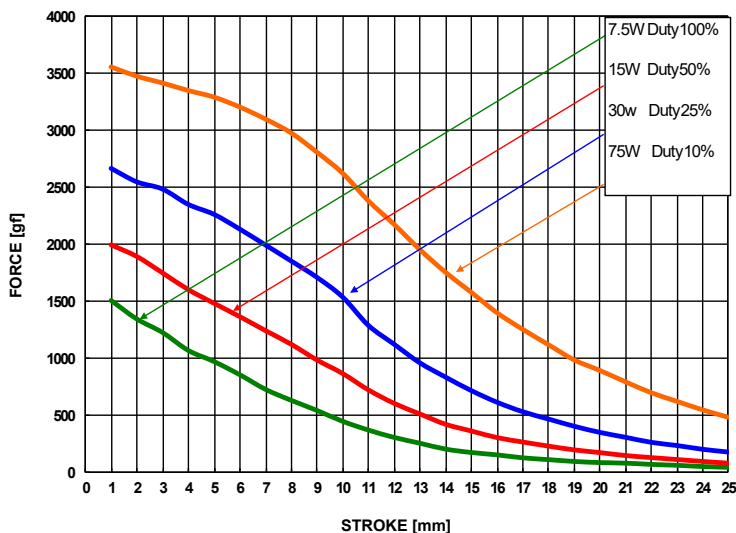
SPRING DATA

| | |
|----------------------------------|----------|
| Loading force @ 20mm compression | 85 ± 10g |
|----------------------------------|----------|

PLUNGER PROFILE

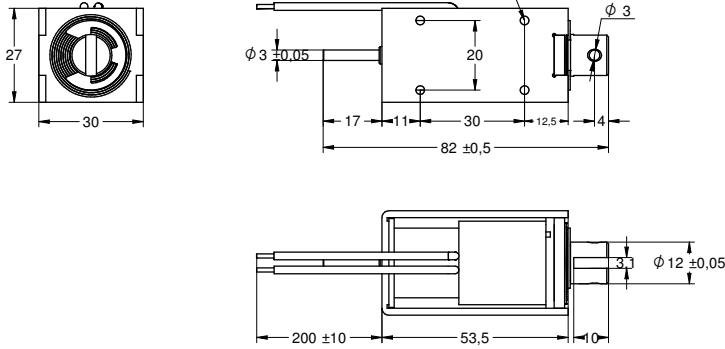


DIAGRAM

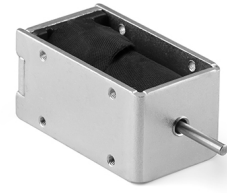


F1253S (push type)

DRAWING (mm)



PHOTO



MODEL NO. DESIGNATION

F1253S - VOLTAGE

Example: F1253S-12V

SOLENOID DATA

| Duty cycle / ED (%) ▶ | Continuous (100%) | Intermittent (50%) | Intermittent (25%) | Intermittent (10%) |
|--|-------------------|--------------------|--------------------|--------------------|
| Watts @ 20°C ▶ | 6 | 12 | 24 | 60 |
| Maximum time in energized state (in seconds) ▶ | ∞ | 140 | 50 | 9 |

| Part ▼ | Resistance (20°C) ± 10% (Ω) ▼ | DC Volts (V) ▼ | | | |
|------------|-------------------------------|----------------|-----|----|----|
| F1253S-06V | 6 | 6 | 8.5 | 12 | 19 |
| F1253S-12V | 24 | 12 | 17 | 24 | 38 |
| F1253S-24V | 96 | 24 | 34 | 48 | 76 |

SOLENOID FEATURES AND STANDARD DATA

| | STANDARD | CUSTOMIZATION OPTIONS |
|---------------------------------|---------------------------------|-----------------------------|
| Type | Push type DC solenoid | Push type DC solenoid |
| Cable | Flying wire 230mm | Length, type and connector |
| Voltage | 6 to 24 VDC @ 100% ED | Other voltages upon request |
| Life time | At least 500.000 single strokes | |
| Plunger material | Carbon steel 12L14 | |
| Protection class | IP00 | |
| Insulation grade | B | |
| Operating temperature | -5°C ... +40°C | |
| Manufacturing quality standards | ISO9001:2008, ISO/TS 16949:2002 | |
| RoHS compliance | Yes | |
| CE approval | No | |
| UL approval | No | |

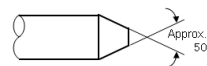
ADDITIONAL DATA

| | |
|---------------|------|
| Return spring | Yes |
| Weight | 205g |

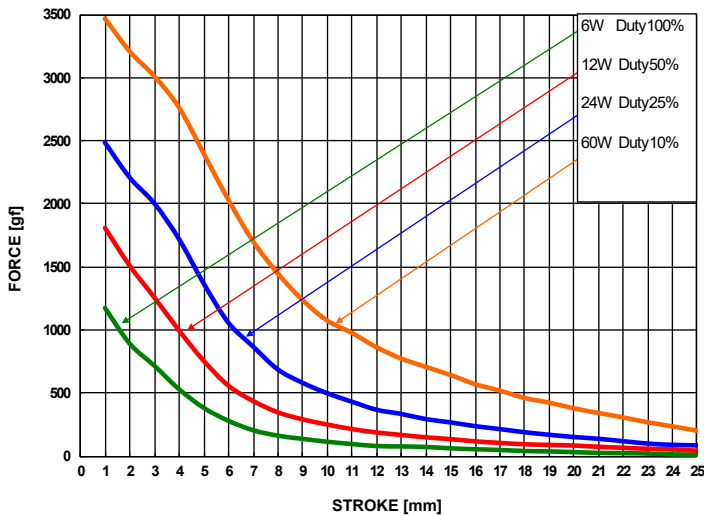
SPRING DATA

| | |
|----------------------------------|----------|
| Loading force @ 20mm compression | 85 ± 10g |
|----------------------------------|----------|

PLUNGER PROFILE

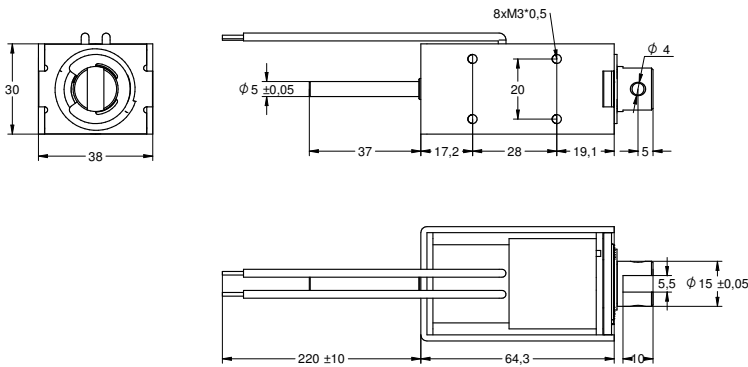


DIAGRAM

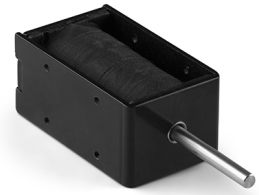


F1564S (push type)

DRAWING (mm)



PHOTO



MODEL NO. DESIGNATION

F1564S - VOLTAGE

Example: F1564S-12V

SOLENOID DATA

| Duty cycle / ED (%) ▶ | Continuous (100%) | Intermittent (50%) | Intermittent (25%) | Intermittent (10%) |
|--|-------------------|--------------------|--------------------|--------------------|
| Watts @ 20°C ▶ | 8 | 16 | 32 | 80 |
| Maximum time in energized state (in seconds) ▶ | ∞ | 140 | 50 | 9 |

| Part ▼ | Resistance (20°C) ± 10% (Ω) ▼ | DC Volts (V) ▼ | | | |
|------------|-------------------------------|----------------|-----|----|----|
| F1564S-06V | 4.5 | 6 | 8.5 | 12 | 19 |
| F1564S-12V | 18 | 12 | 17 | 24 | 38 |
| F1564S-24V | 72 | 24 | 34 | 48 | 76 |

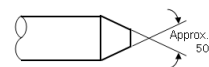
SOLENOID FEATURES AND STANDARD DATA

| | STANDARD | CUSTOMIZATION OPTIONS |
|---------------------------------|---------------------------------|-----------------------------|
| Type | Push type DC solenoid | Push type DC solenoid |
| Cable | Flying wire 230mm | Length, type and connector |
| Voltage | 6 to 24 VDC @ 100% ED | Other voltages upon request |
| Life time | At least 500.000 single strokes | |
| Plunger material | Carbon steel 12L14 | |
| Protection class | IP00 | |
| Insulation grade | B | |
| Operating temperature | -5°C ... +40°C | |
| Manufacturing quality standards | ISO9001:2008, ISO/TS 16949:2002 | |
| RoHS compliance | Yes | |
| CE approval | No | |
| UL approval | No | |

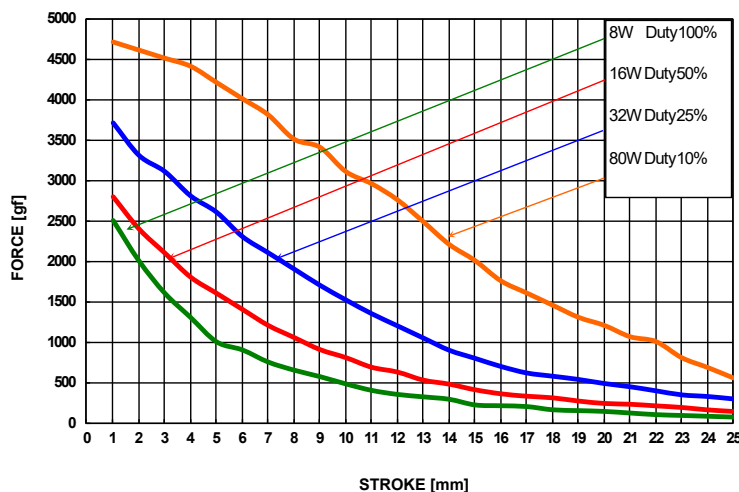
ADDITIONAL DATA

| | |
|---------------|------|
| Return spring | Yes |
| Weight | 363g |

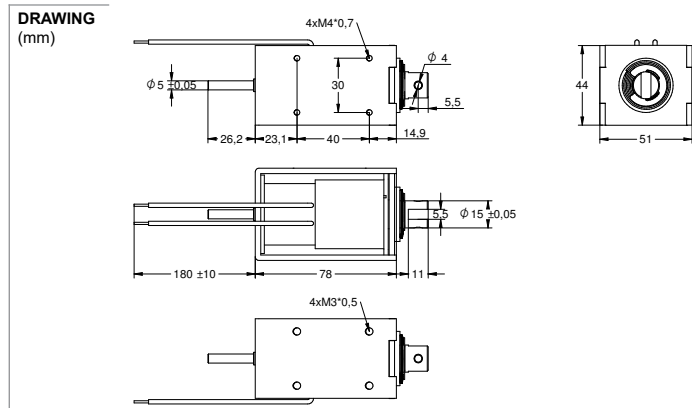
PLUNGER PROFILE



DIAGRAM



F1578S (push type)



PHOTO



MODEL NO. DESIGNATION

F1578S - VOLTAGE
 Example: F1578S-12V

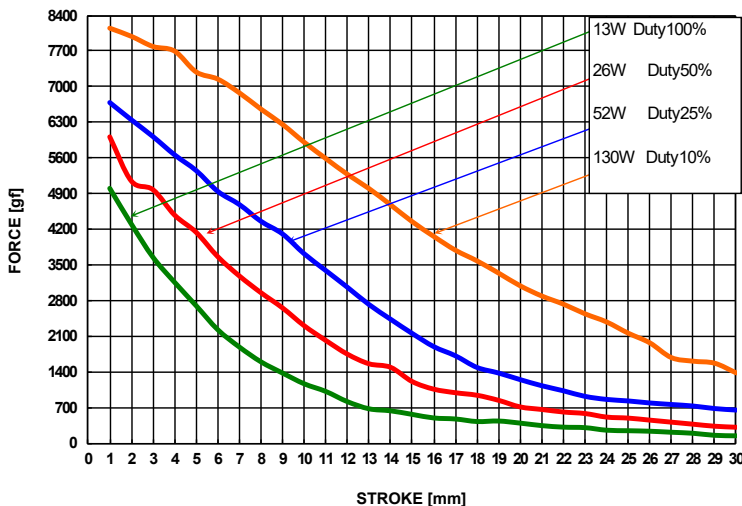
| SOLENOID DATA | | | | |
|--|-------------------------------|--------------------|--------------------|--------------------|
| Duty cycle / ED (%) ▶ | Continuous (100%) | Intermittent (50%) | Intermittent (25%) | Intermittent (10%) |
| Watts @ 20°C ▶ | 13 | 26 | 52 | 130 |
| Maximum time in energized state (in seconds) ▶ | ∞ | 160 | 80 | 32 |
| Part ▼ | Resistance (20°C) ± 10% (Ω) ▼ | DC Volts (V) ▼ | | |
| F1578S-06V | 4.5 | 6 | 8.5 | 12 |
| F1578S-12V | 18 | 12 | 17 | 24 |
| F1578S-24V | 72 | 24 | 34 | 48 |

| SOLENOID FEATURES AND STANDARD DATA | | |
|-------------------------------------|---------------------------------|-----------------------------|
| | STANDARD | CUSTOMIZATION OPTIONS |
| Type | Push type DC solenoid | Push type DC solenoid |
| Cable | Flying wire 230mm | Length, type and connector |
| Voltage | 6 to 24 VDC @ 100% ED | Other voltages upon request |
| Life time | At least 500.000 single strokes | |
| Plunger material | Carbon steel 12L14 | |
| Protection class | IP00 | |
| Insulation grade | B | |
| Operating temperature | -5°C ... +40°C | |
| Manufacturing quality standards | ISO9001:2008, ISO/TS 16949:2002 | |
| RoHS compliance | Yes | |
| CE approval | No | |
| UL approval | No | |

| ADDITIONAL DATA | |
|-----------------|------|
| Return spring | Yes |
| Weight | 800g |

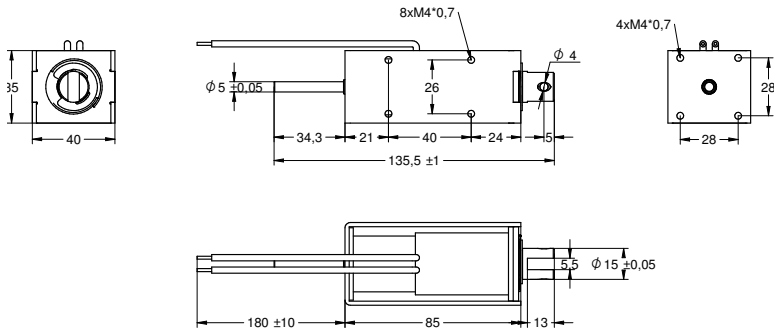


DIAGRAM



F1585S (push type)

DRAWING (mm)



PHOTO



MODEL NO. DESIGNATION

F1585S - VOLTAGE

Example: F1585S-12V

SOLENOID DATA

| Duty cycle / ED (%) ▶ | Continuous (100%) | Intermittent (50%) | Intermittent (25%) | Intermittent (10%) |
|--|-------------------|--------------------|--------------------|--------------------|
| Watts @ 20°C ▶ | 12.7 | 25.4 | 50.8 | 127 |
| Maximum time in energized state (in seconds) ▶ | ∞ | 160 | 80 | 32 |

| Part ▼ | Resistance (20°C) ± 10% (Ω) ▼ | DC Volts (V) ▼ | | | |
|------------|-------------------------------|----------------|-----|----|----|
| F1585S-06V | 2.8 | 6 | 8.5 | 12 | 19 |
| F1585S-12V | 11.3 | 12 | 17 | 24 | 38 |
| F1585S-24V | 45.3 | 24 | 34 | 48 | 76 |

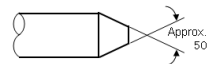
SOLENOID FEATURES AND STANDARD DATA

| | STANDARD | CUSTOMIZATION OPTIONS |
|---------------------------------|---------------------------------|-----------------------------|
| Type | Push type DC solenoid | Push type DC solenoid |
| Cable | Flying wire 230mm | Length, type and connector |
| Voltage | 6 to 24 VDC @ 100% ED | Other voltages upon request |
| Life time | At least 500.000 single strokes | |
| Plunger material | Carbon steel 12L14 | |
| Protection class | IP00 | |
| Insulation grade | B | |
| Operating temperature | -5°C ... +40°C | |
| Manufacturing quality standards | ISO9001:2008, ISO/TS 16949:2002 | |
| RoHS compliance | Yes | |
| CE approval | No | |
| UL approval | No | |

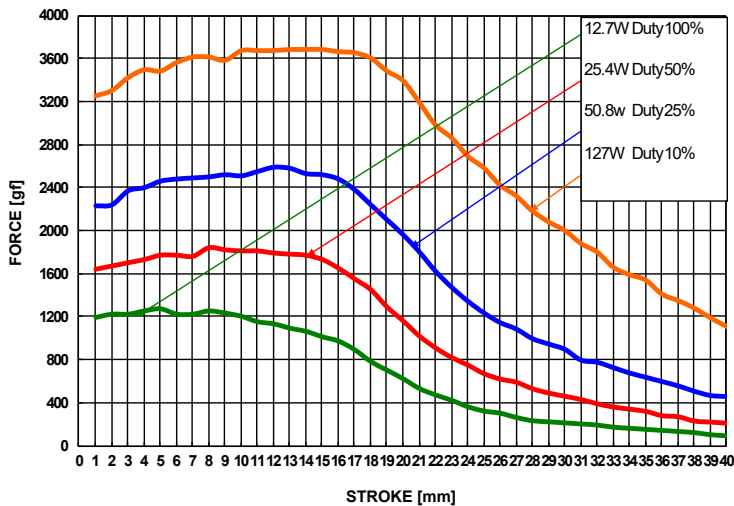
ADDITIONAL DATA

| | |
|---------------|------|
| Return spring | Yes |
| Weight | 530g |

PLUNGER PROFILE

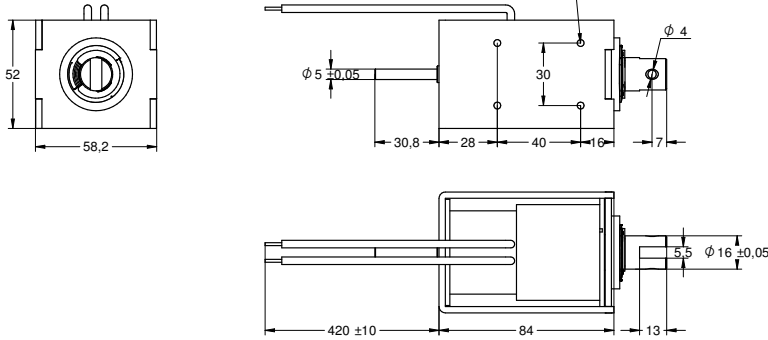


DIAGRAM



F1683S (push type)

DRAWING (mm)



PHOTO



MODEL NO. DESIGNATION

F1683S - VOLTAGE

Example: F1683S-12V

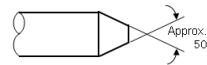
| SOLENOID DATA | | | | |
|--|-------------------|--------------------|--------------------|--------------------|
| Duty cycle / ED (%) ▶ | Continuous (100%) | Intermittent (50%) | Intermittent (25%) | Intermittent (10%) |
| Watts @ 20°C ▶ | 16 | 32 | 64 | 160 |
| Maximum time in energized state (in seconds) ▶ | ∞ | 250 | 120 | 40 |

| Part ▼ | Resistance (20°C) ± 10% (Ω) ▼ | DC Volts (V) ▼ | | | |
|------------|-------------------------------|----------------|-----|----|----|
| F1683S-06V | 2.3 | 6 | 8.5 | 12 | 19 |
| F1683S-12V | 9 | 12 | 17 | 24 | 38 |
| F1683S-24V | 36 | 24 | 34 | 48 | 76 |

| SOLENOID FEATURES AND STANDARD DATA | | |
|-------------------------------------|---------------------------------|-----------------------------|
| | STANDARD | CUSTOMIZATION OPTIONS |
| Type | Push type DC solenoid | Push type DC solenoid |
| Cable | Flying wire 230mm | Length, type and connector |
| Voltage | 6 to 24 VDC @ 100% ED | Other voltages upon request |
| Life time | At least 500.000 single strokes | |
| Plunger material | Carbon steel 12L14 | |
| Protection class | IP00 | |
| Insulation grade | B | |
| Operating temperature | -5°C ... +40°C | |
| Manufacturing quality standards | ISO9001:2008, ISO/TS 16949:2002 | |
| RoHS compliance | Yes | |
| CE approval | No | |
| UL approval | No | |

| ADDITIONAL DATA | |
|-----------------|-------|
| Return spring | Yes |
| Weight | 1090g |

PLUNGER PROFILE



DIAGRAM

