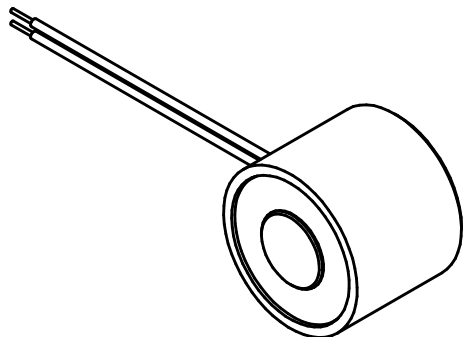


Label

EM2520
Date: YY.MM.DD
www.transmotec.com



| | | | | | |
|-----------------------|----------------|-----------------------|--------------------|-------------------------|---------------|
| Article No. EM2520 | | Base model | | | |
| Scale 1:1 | Projection | Dimension units mm | Date 2019-07-11 | Rev. Date 2023-06-20 | Rev. No. 2 |

Copyright

This drawing contains confidential information and is the property of Transmotec Sweden AB, without whose permission it may not be copied, shown or handed to a third party or otherwise used and is to be returned promptly upon request to the design owner, who is responsible for the drawing.